

MRT 3255

The 360° HANDLING solution



Rotating Rough terrain telehandler

- 5.5 tons - 600 mm on forks
- 2.5 tons at 32 m
- Winch 7.2 tons
- Winch 12 tons at the base of the jib
- Man basket up to 43 m



A real 3 in 1 machine

The MRT 3255 Privilege is a 4WD rough terrain telehandler with a continuous rotating turret. It provides a truly practical work envelope around your work site without the need to move the machine, while maintaining impressive work load capacities. Optimised all round performance from 1 single machine machine.

Telehandler mode

- Positioning on stabilizers or tyres.
- Precise load control.
- Strong pentagonal boom:
maximum height: 32 m.
maximum reach: 27.20 m.



Crane mode

- Winch up to 12 tons at the base of the jib.
- Winch 7.2 tons at the boom head.



Man basket mode

- Extendable and adjustable man basket with up to 1000 kg load capacity.
- Up to 43 m working height with the 3D man basket.
- Both positive and negative work positions.

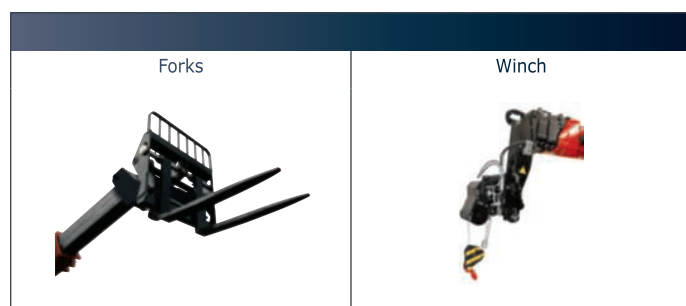


Remote-control

All boom and attachment functions in either crane or man basket modes can be controlled via a remote control handset. This allows the operator to position himself "on the ground" and close to where a load is to be placed.

A large range of available attachments

E-RECO system for attachment recognition automatically detects the accessory type and proposes the correct corresponding work envelope. Technology designed to make things simple.



Manoeuvre with confidence **with a high performance machine**

Environmentally friendly engine design

- Mercedes Stage 4 / Final Tier IV engine.
- SCR + EGR technology.
- Simplified daily maintenance: Full access to all filters and components.
- Two part engine bonnet opening: better maintenance access.



Telescopic scissor stabilizers

- Square stabilization surface (45 m²) for maximum weight capacity throughout 360°.
- Modular stabilization.
- Optimum support: limits ground pressure.
- Automatic levelling as standard: get into a safe working position quickly and simply.
- Load capacity automatically adapts according to each stabilizer length and position.



Pentagonal telescopic boom

- Precise guidance of the 5 boom elements ensuring rigid lateral stability so important at these heights.
- High precision movements: the speed of hydraulic movements is automatically adapted to the length of boom extension.



CVT Transmission (Continuous Variable Transmission)

- Flexibility and precise control of approach speed.
- The CVT transmission optimises engine performance for the best overall ratio between torque and speed.
- No drop in torque from 0 to 40 km/h.
- Speed limiter and cruise control.
- Fully sealed axles with integrated oil immersed disks for braking.
- 3 steering modes.



Hydropneumatic suspension

- High level of comfort for long journeys.
- Frame levelling: lateral, longitudinal.

STANDARDS EQUIPMENT AND OPTIONAL

● Standard ○ Optional*

Optional	
Working platform predisposition with remote control	○
Video cameras (on the top of the boom, rear)	○
Working light	○
Car radio	○

Standard	
Protruding towing bar	●
Return piping to hydraulic oil tank	●
Hydraulic line for attachment with fast coupling	●
Attachment recognition system	●
Battery cut-off	●
Fuel heater	●
Closed Cab with heating	●
Roof Wiper	●
Electrically operated tilting seat	●
Sheet metal lower door with electrical window	●
Automatic levelling of the stabilizers	●
Working area setting	●
Limitation of hydraulic movement speed	●
Complete road lighting / Rotating beacon	●

*A non-exhaustive list

Control is **intinctive and safe**

Spacious well laid out Cab

- Wide door for easier access.
- Driver's cab adjusted to the operator's requirements: adjustable steering wheel and seat.
- Several access points around the machine whatever the position of the turret:
 - left and right hand steps,
 - front and rear access ladders.

Intuitive dashboard

- 9 inch digital display:
- Driver assist messages.
- On-board diagnostics.
- Dynamic load charts to monitor load position in real time on the screen.

Full 360° visibility

- Accessory and load visible.
- Electric and tilting seat for optimum visibility through the roof.
- Electric window.
- Optional cameras ensure safe manoeuvres.



Dual joysticks as standard

- Allows combined boom movements.
- Electro-proportional controls for excellent precision and feel.
- FNR integrated into the right hand joystick:
 - one hand on the steering wheel,
 - one hand on the joystick for boom movements.

Red button : FNR
Forward / Neutral / Reverse



Left hand joystick:
- simultaneous control of boom extension
- turret slewing
- accessory control




Right hand joystick:
- simultaneous control of load lifting
- fork tilting
- accessory control

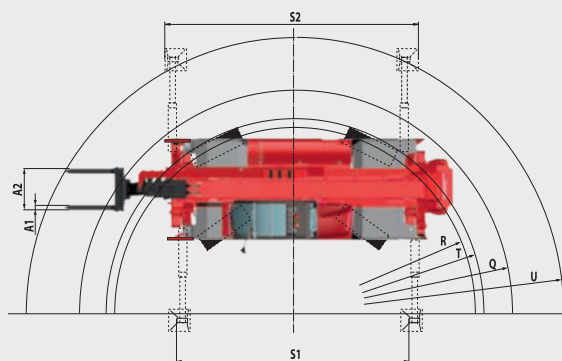
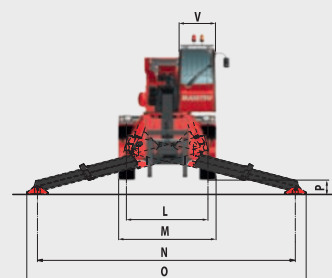
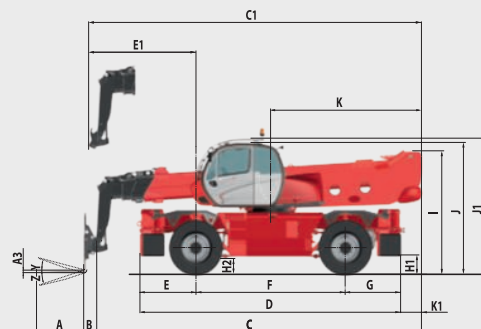
Total safety

- **Movement speed limiter:** adaptation of speeds depending on the accessory and the environment.
- **Working zone setting:** ensures the safety of your handling movements on congested building sites, the work zone can be simply pre-set into the machine.
- **Control of load status** restricts the working area according to the machine status, accessory type and the load being handled.
- **Automatic parking brake** safety for manoeuvres on all surfaces.
- The cab complies with **ROPS /FOPS safety standards.**

MRT 3255 PRIVILEGE +

MRT 3255 Privilege +

Lifting	
Max. capacity with forks at 600 mm LC (on stabilizers)	5 500 kg
Max. capacity with winch 7200 Kg (on stabilizers)	7 200 kg
Max. lifting height	31.60 m
Max. outreach	27.20 m
Tyres	
	17.5/R25
Suspension / Frame levelling	
	Electronically controlled hydropneumatic suspension
Lateral frame levelling	+/- 8°
Longitudinal frame levelling	+/- 3°
	Oscillating rear axle with automatic hydraulic lock when rotated (> 15°)
Stabilizers	
	4 Triplex telescopic Simultaneously or individually controlled
Full, continuous rotation	
	Turret mounted on a double slewing with internal gearing / slewing system with negative brake
Braking	
Service brake	Oil-bath multiple-disc brakes hydraulically assisted on both axles
Parking brake	Automatic Negative Parking brake
Engine	
	MERCEDES
Type	OM 934 LA.E4-1 (Stage IV / Tier IV final)
Displacement	4 cylinders 5.1 liters
Power	231 HP / 170 kW
Max. torque	900 Nm / 1200-1600 rpm
Batteries	24 V: 2 x 12 V - 120 Ah - 850 A
Laden drawbar pull	10 500 daN
Gradability	35%
Transmission	
	Continuous Variable Transmission DANA 319 Permanent 4 wheel drive
Steering mode	4 wheel steer - 3 Steering Modes 
Max. travel speed (may vary according to applicable regulations)	35 kph
Controls	
	2 Joysticks multi - functions
Hydraulics	
Load sensing Pump	210 l/min - 350 bar Axial piston variable pump
Capacities	
Urea (AdBlue® type)	54 l
Hydraulic oil	297 l
Fuel	361 l
Unladen weight (with forks)	23 986 kg
Dimensions	
Overall width	2.50 m
Overall width (stabilizers extended)	7.10 m
Overall height	3.20 m (+/- 0.078 m)
Overall length to carriage	8.50 m
Ground clearance	0.42 m (+/- 0.078 m)
Turning radius (over tyres)	4.91 m
Standard forks (length x width x thickness)	1200 x 150 x 60 mm
Safety	
	Load monitoring system - (crane norms) Attachment recognition system (E-Reco)
Noise and vibration	
Noise at driving position (LpA)	80 dB
Environmental noise (LwA)	106 dB
Vibration to whole hand/arm	<2.5 m/s ²



mm	MRT/MRT-X 3255
A	1200
A1	130
A2	1028
A3	60
B	383
C	8114
C1	8412
D	6568
E	1409
F	3750
G	1409
H1	431
H2	420
I	3002
J	3205
J1	3306
K	3803
K1	519

mm	MRT/MRT-X 3255
L	2064
M	2499
N	6490
O	7100
P	350
P2	14
P3	20
P4	20
Q	5560
R	4690
S1	5945
S2	6490
T	4910
U	7000
V	933
Y	12°
Z	105°

This brochure describes versions and configuration options for Manitou products which may be fitted with different equipment. The equipment described in this brochure may be standard, optional or not available depending on version. Manitou reserves the right to change the specifications shown and described at any time and without prior warning. The manufacturer is not liable for the specifications given. For more information, contact your Manitou dealer. Non-contractual document. Product descriptions may differ from actual products. List of specifications is not comprehensive. The logos and visual identity of the company are the property of Manitou and may not be used without authorisation. All rights reserved. The photos and diagrams contained in this brochure are provided for information only.

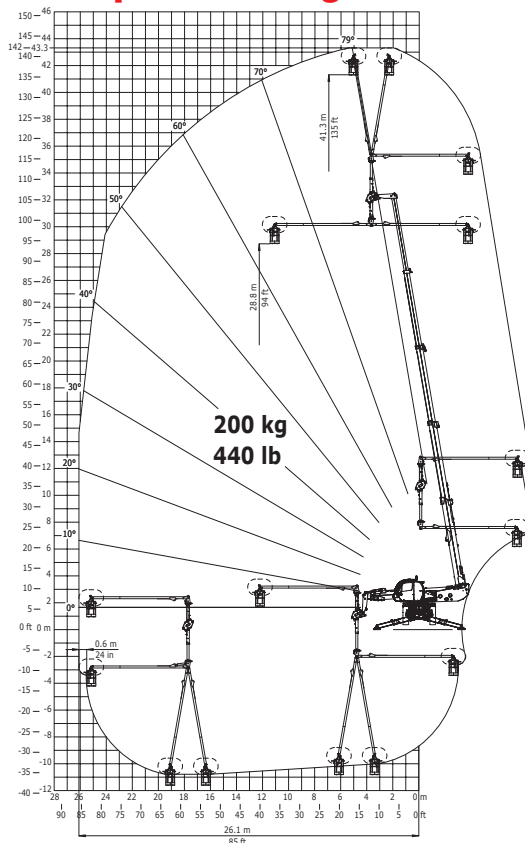
MANITOU BP SA - Limited company with board of directors - Share capital: 39,547,824 euros - 857 802 508 RCS Nantes



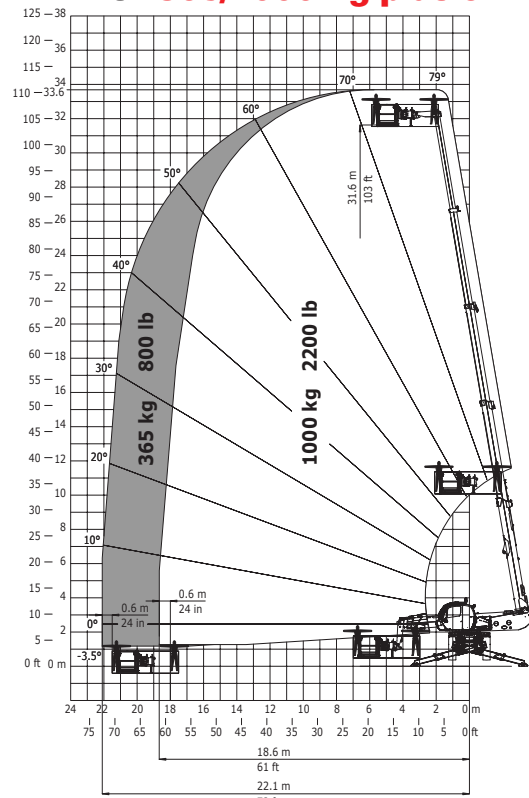
Rock-solid efficiency



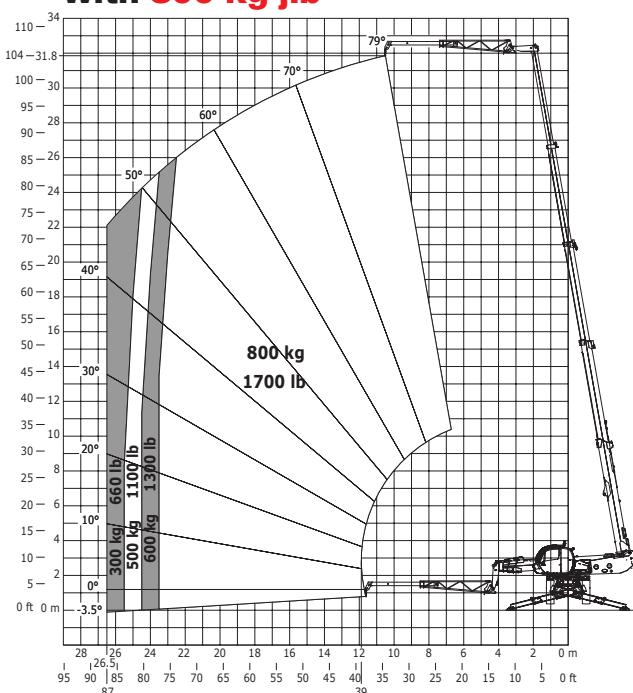
Rotation on extended stabilizers
3D positive / negative



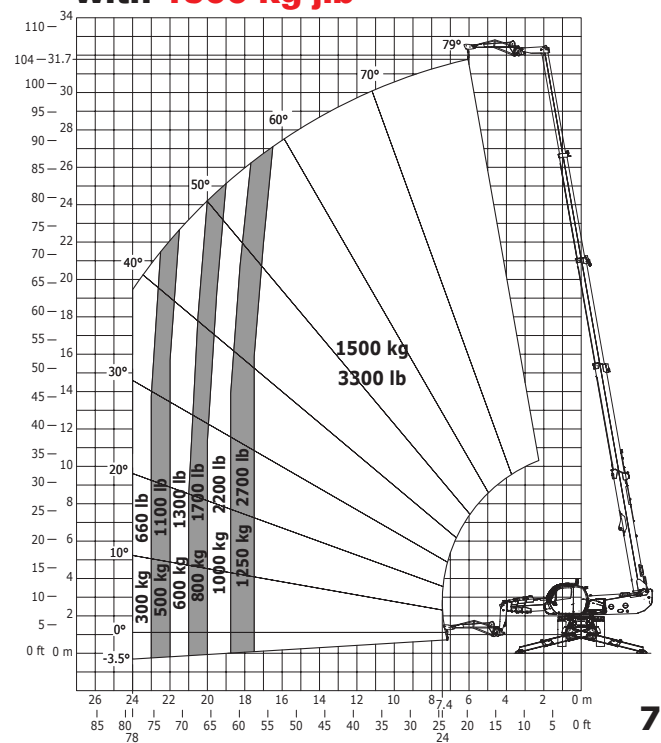
Rotation on extended stabilizers
with **365/1000 kg platform**



Rotation on extended stabilizers
with **800 kg jib**



Rotation on extended stabilizers
with **1500 kg jib**



MANITOU YOUR HANDLING PARTNER

The MANITOU Group, **the global benchmark in handling solutions**, designs, assembles and distributes handling solutions in all sectors of activity: industry, construction and agriculture. Capitalising on over 50 year's experience, **MANITOU** is constantly innovating and guarantees quality products and services, always tailored to reflect the development of your activity.



/ 1 400 points of sale

// Present in over 120 countries

/// Over 2.000 specialist technicians

//// A spare parts distribution centre of 34.000 m²

///// A unique range of handling solutions

Telescopic handlers

Masted forklifts trucks

Electrical and diesel aerial access platforms

Truck mounted forklifts

Industrial and semi industrial forklifts

Warehouse equipment...

Your nearest **MANITOU** dealer:



Head office:

B.P. 249 - 430 rue de l'Aubinière - 44158 Ancenis Cedex - France

Tel: 00 33 (0)2 40 09 10 11 - Fax: 00 33 (0)2 40 09 10 97

www.manitou.com



facebook.com/manitou.official