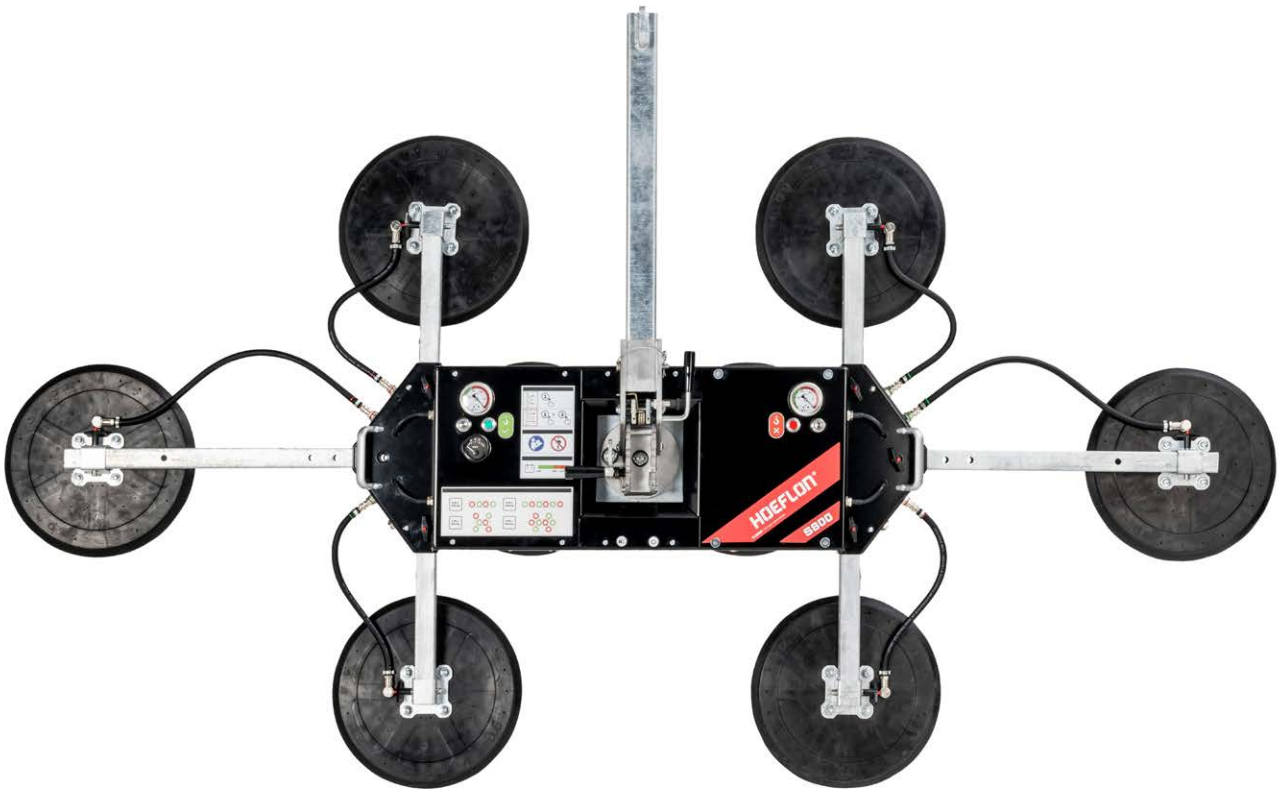


S800

Specifications



Lifting capacity double circuit:	200 - 800 kg
Machine weight:	55 - 80 kg
Rotation range:	360° with four locking positions
Tilting range:	90° with six locking positions
Machine height:	200 mm
Battery:	12VDC, 10Ah

S800

Specifications

The Hoeflon S800 suction lifter is a premium quality multifunctional glass lifter, with exceptional fit and finish, at a very competitive price.

All our products are designed in-house in close cooperation with users from the field. This results in products that are a class apart when it comes to the details and provide the user with every convenience in daily use.

Unique features

- Can be used as both spider and inline suction lifter.
- At just 82 kg with a lifting capacity of 800 kg, it is the lightest suction lifter in its class.

Delivered standard with:

- Remote control
- Transport trolley
- Short lifting arm
- Swappable battery system incl. spare battery
- Protective covers for suction cups

Accessories



Battery

Battery charger

Remote control

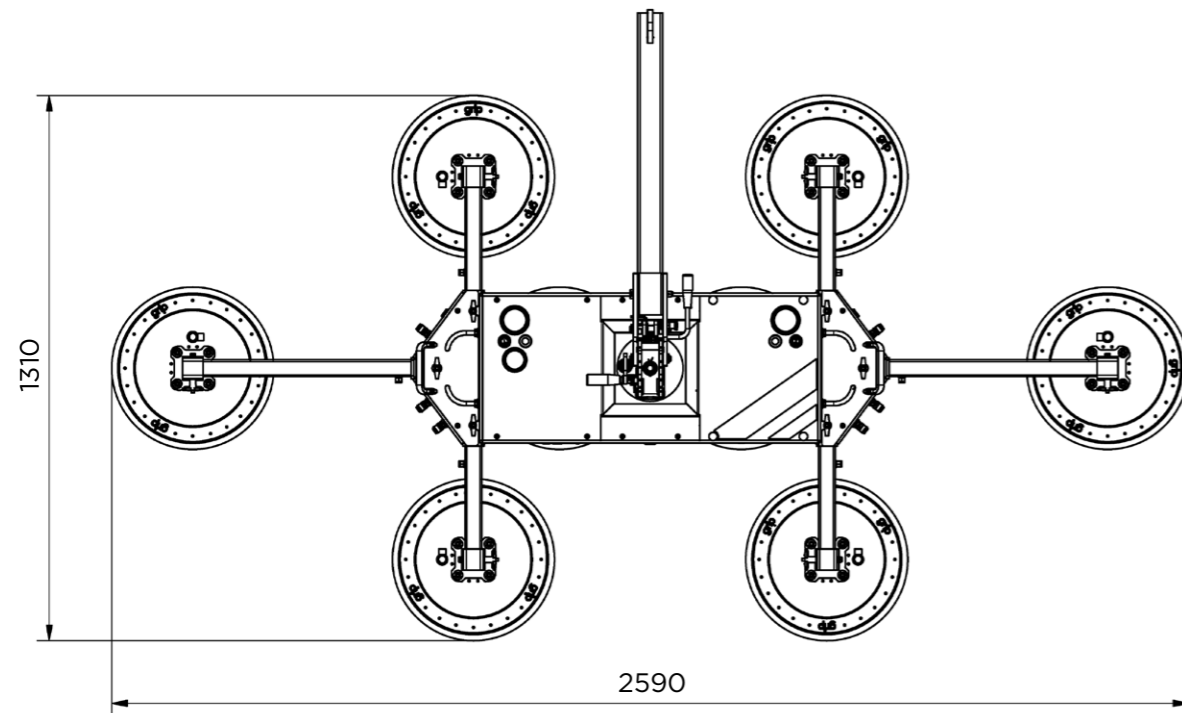
Short lifting arm

Specifications

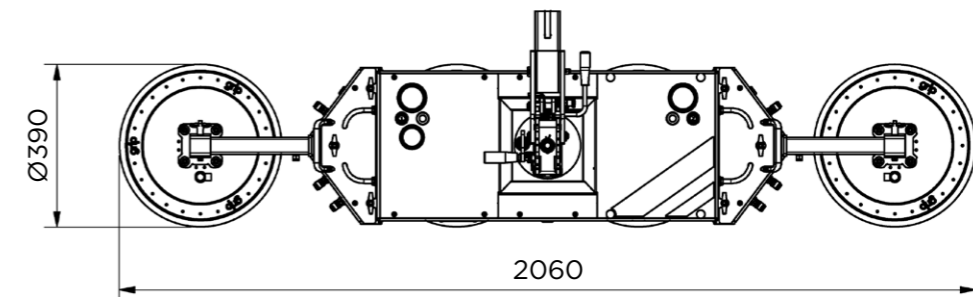
- Extra-short lifting arm provides very compact dimensions for when glass installation space is limited.
- Angle adjustment on the Hoeflon lifting arm provides extra safety and convenience for indoor glazing installation because the angle can be fixed in different positions.
- Double vacuum circuit, meeting the requirements of the EN 13155 directive, ensures maximum safety and installation speed because external load fall arrester is no longer necessary.
- Radio remote control provides extra installation speed and convenience.
- The overall width of the machine is very low, which means that work can also be carried out between the facade and scaffolding.



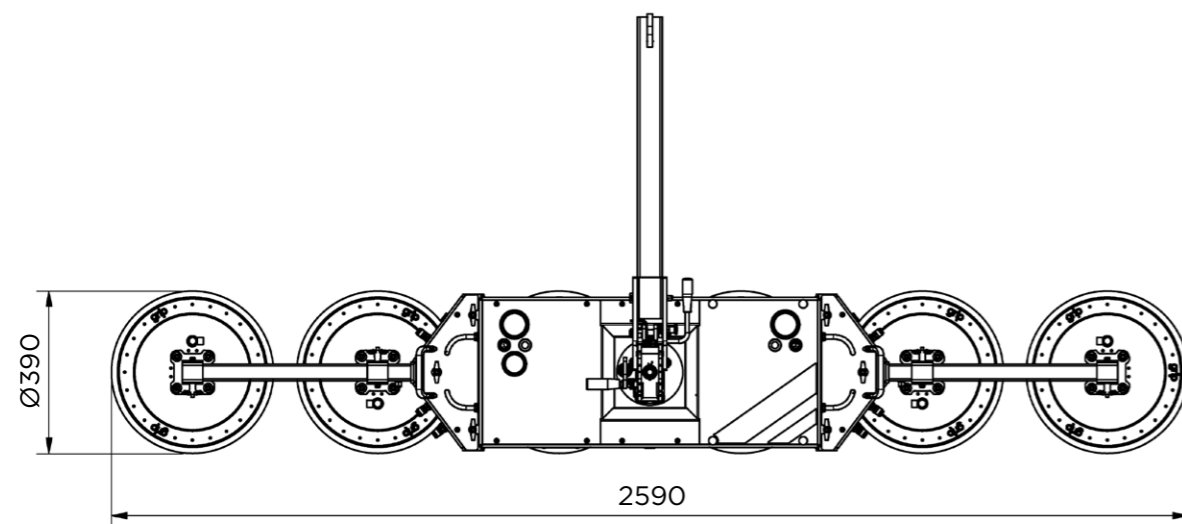
SWL 800 kg - Spider suction lifter



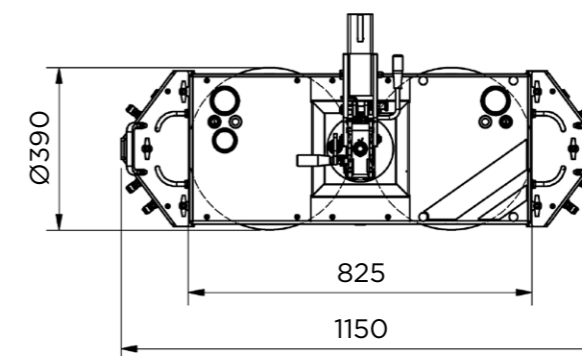
SWL 400 kg - Inline suction lifter



SWL 600 kg - Inline suction lifter



SWL 200 kg - Base unit



S800

Specifications

HOEFLON®

Your Hoeflon contact person

Hoeflon machines are functional and offer optimal power and reliability.
We offer many possibilities and help you come up with solutions.



Hoeflon International B.V.

Zwolleweg 2

3771 NR Barneveld, NL

T +31 (0)342 400288

info@hoeflon.com

KVK 66408962

BIC ABNANL2 A

BTW NL856539806B01

IBAN NL96ABNA0457114533

www.hoeflon.com