

# S600

## Specifications



<b>Lifting capacity double circuit:</b>	200 - 600 kg
<b>Machine weight:</b>	50 - 70 kg
<b>Rotation range:</b>	360° with four locking positions
<b>Tilting range:</b>	90° with six locking positions
<b>Machine height:</b>	200 mm
<b>Battery:</b>	12VDC, 10Ah

# S600

Specifications

The vacuum lifter for glass up to 600 kg. Equipped with double vacuum system as standard. The various configurations make this machine our all-rounder, suitable for projects small and large.

## Unique features

- Compatible with spider and inline suction lifters
- Compact transport on trolley
- Maximum lifting capacity: 600 kg

## Delivered standard with:

- Remote control
- Transport trolley
- Long lifting arm
- Short lifting arm
- Swappable battery system incl. spare battery
- Protective covers for suction cups



## Specifications

- Manual tilting with 6 locking positions and continuous adjustment
- Manual rotation with 4 locking positions
- Radio remote control of suction and release
- Interchangeable lifting point for lower overall height
- Transport trolley with pneumatic tyres

## Accessories



Battery

Battery charger

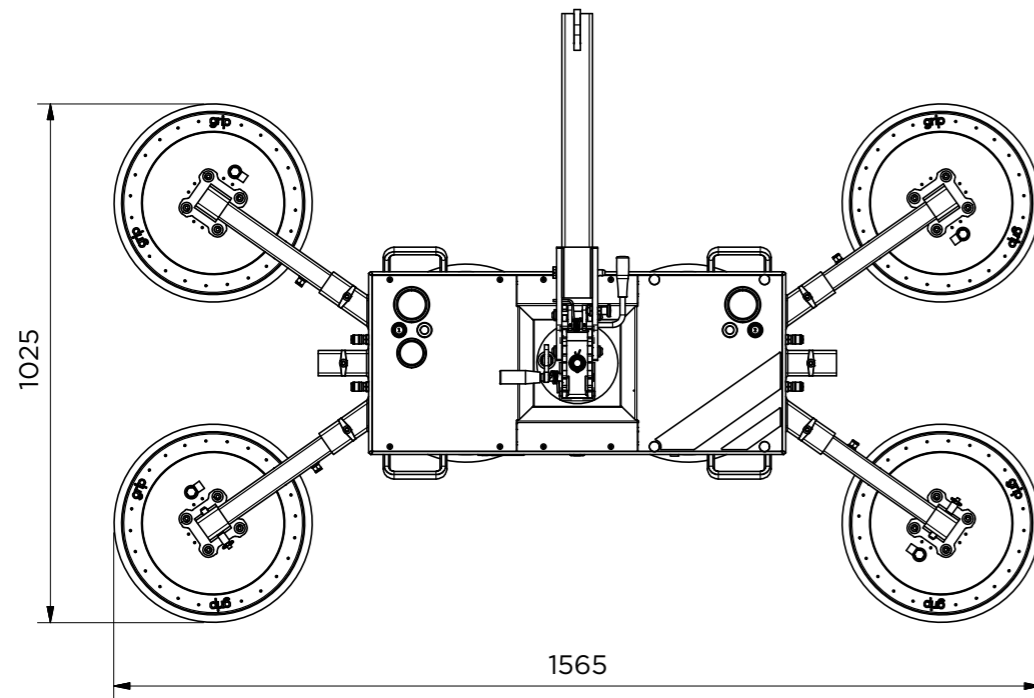


Remote control

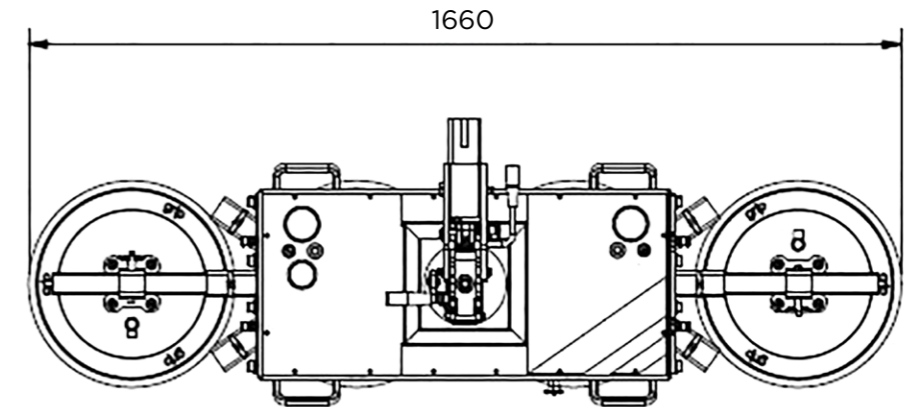


Short lifting arm

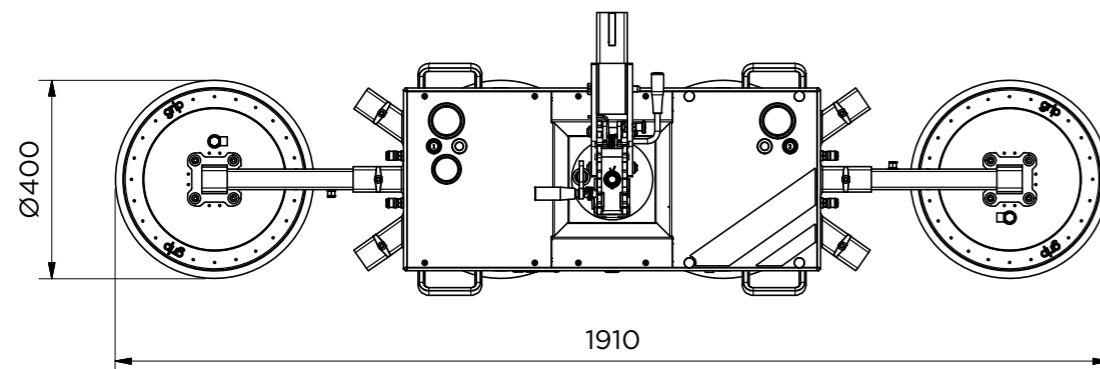
**600 kg - Spider suction lifter**



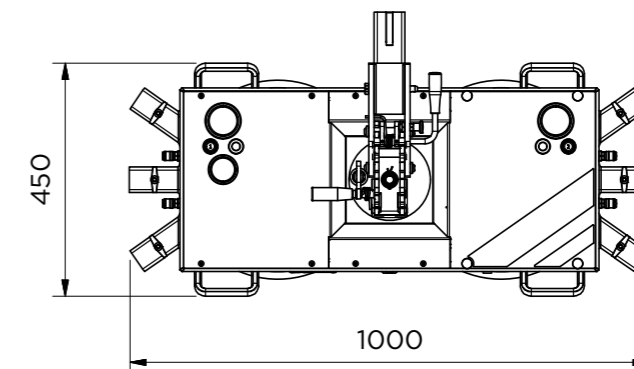
**400 kg - Inline suction lifter, compact**



**400 kg - Inline suction lifter, long**



**200 kg - Basic unit**



# S600

Specifications

# HOEFLON®

## Your Hoeflon contact person

Hoeflon machines are functional and offer optimal power and reliability.  
We offer many possibilities and help you come up with solutions.



**Hoeflon International B.V.**

Zwolleweg 2

3771 NR Barneveld, NL

T +31 (0)342 400288

info@hoeflon.com

KVK 66408962

BIC ABNANL2 A

BTW NL856539806B01

IBAN NL96ABNA0457114533

[www.hoeflon.com](http://www.hoeflon.com)